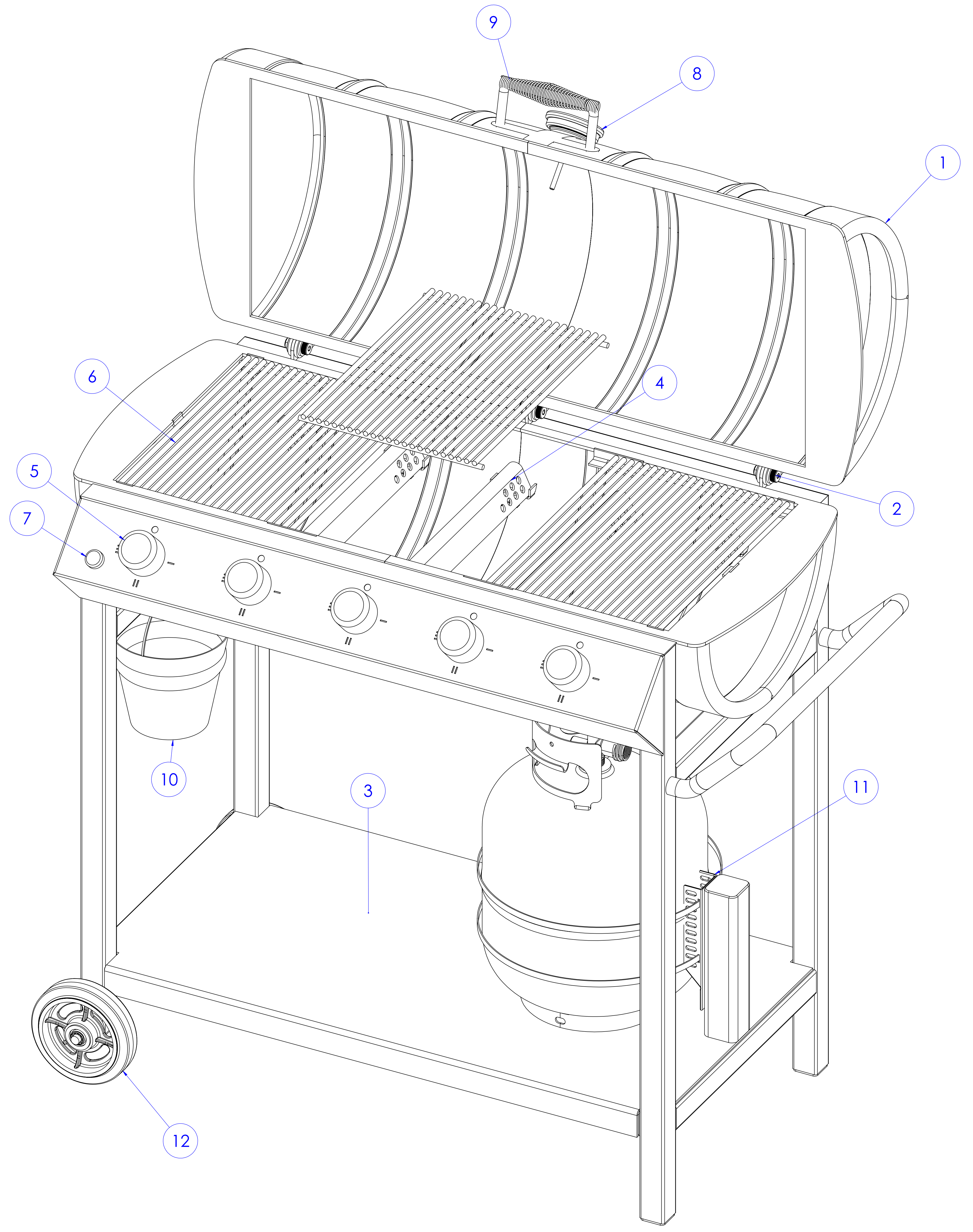
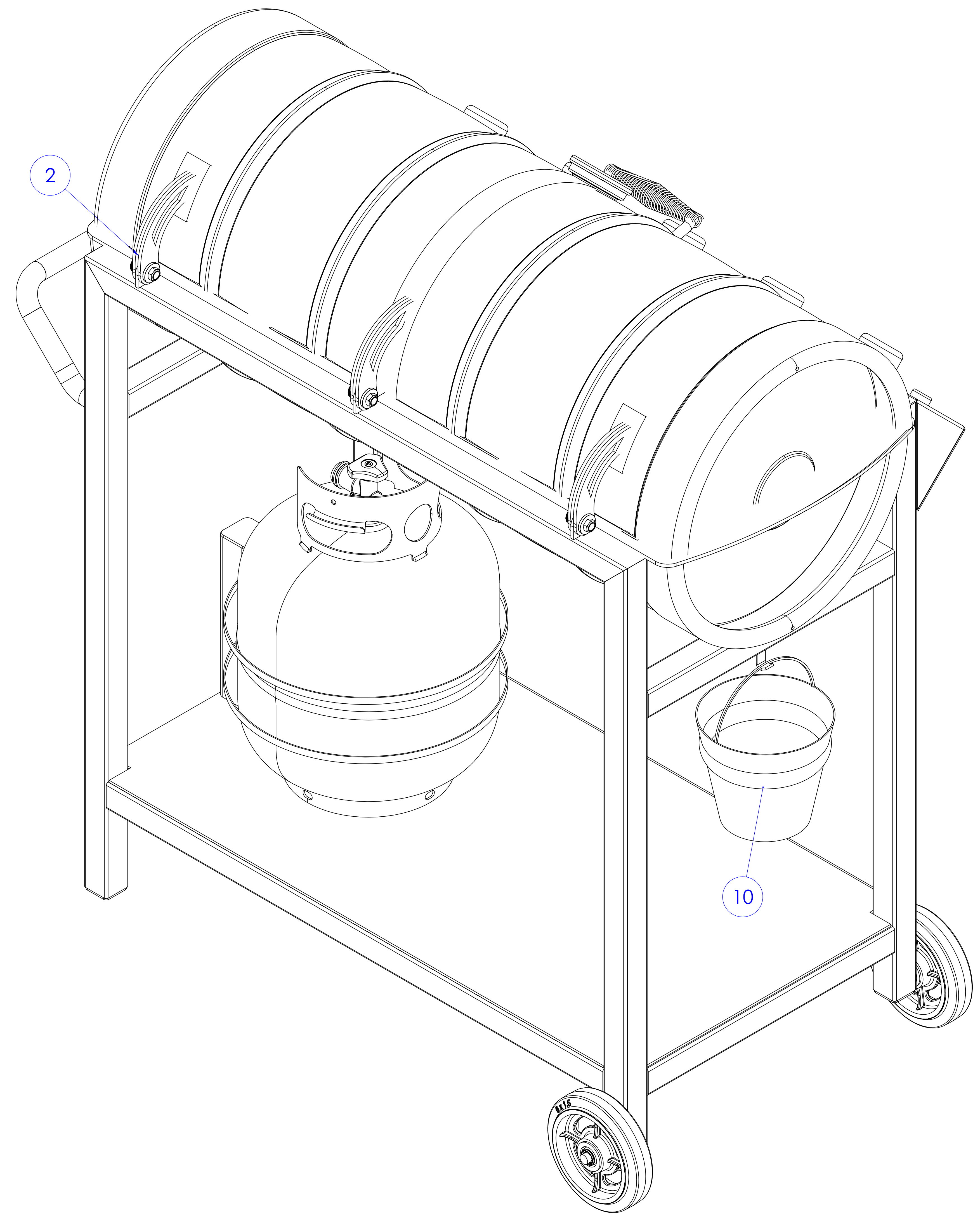


ITEM NO.	PART NUMBER
1	GRILL SHELL
2	HINGE
3	BASE
4	BURNER TUBE WITH COVER
5	KNOBS
6	GRILL GRATES
7	IGNITOR
8	THERMOMETER
9	LID HANDLE
10	GREASE BUCKET
11	GAS TANK MOUNTING BRACKET
12	WHEELS
13	GRILL HANDLE



REV	DESCRIPTION	BY	DATE
A	PRODUCTION	SS	1/23/24

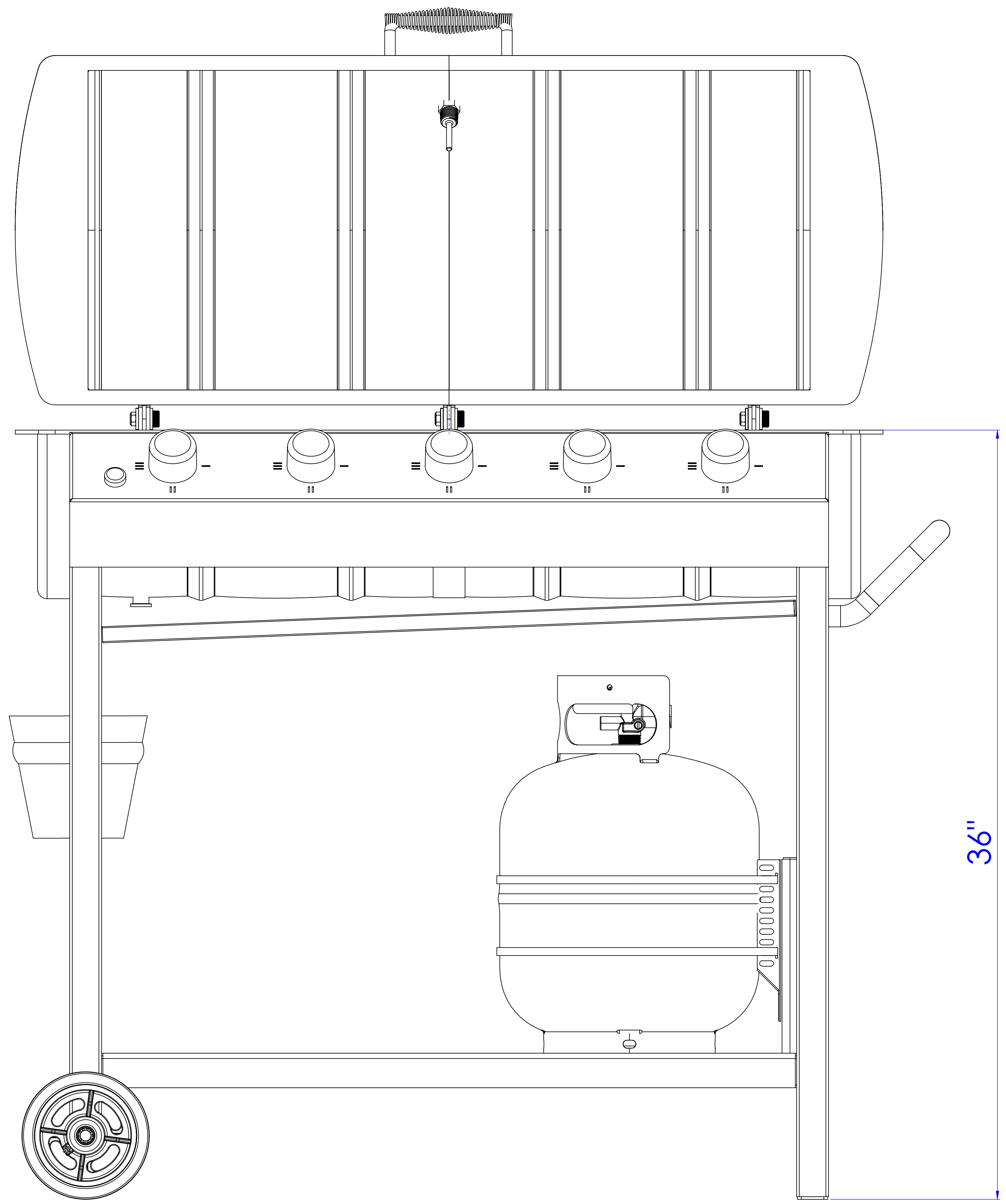
DESIGNED BY: A. ZIEGLER
 DRAWN BY: D. WALKER

THIS MATERIAL IS THE PROPERTY OF ABM EQUIPMENT AND SHOULD NOT BE REPRODUCED, PUBLISHED OR DISCLOSED TO OTHERS WITHOUT AUTHORIZATION AND SHALL NOT BE USED IN ANY MANNER OR IN CONNECTION WITH ABM EQUIPMENT, VANCOUVER, WA.

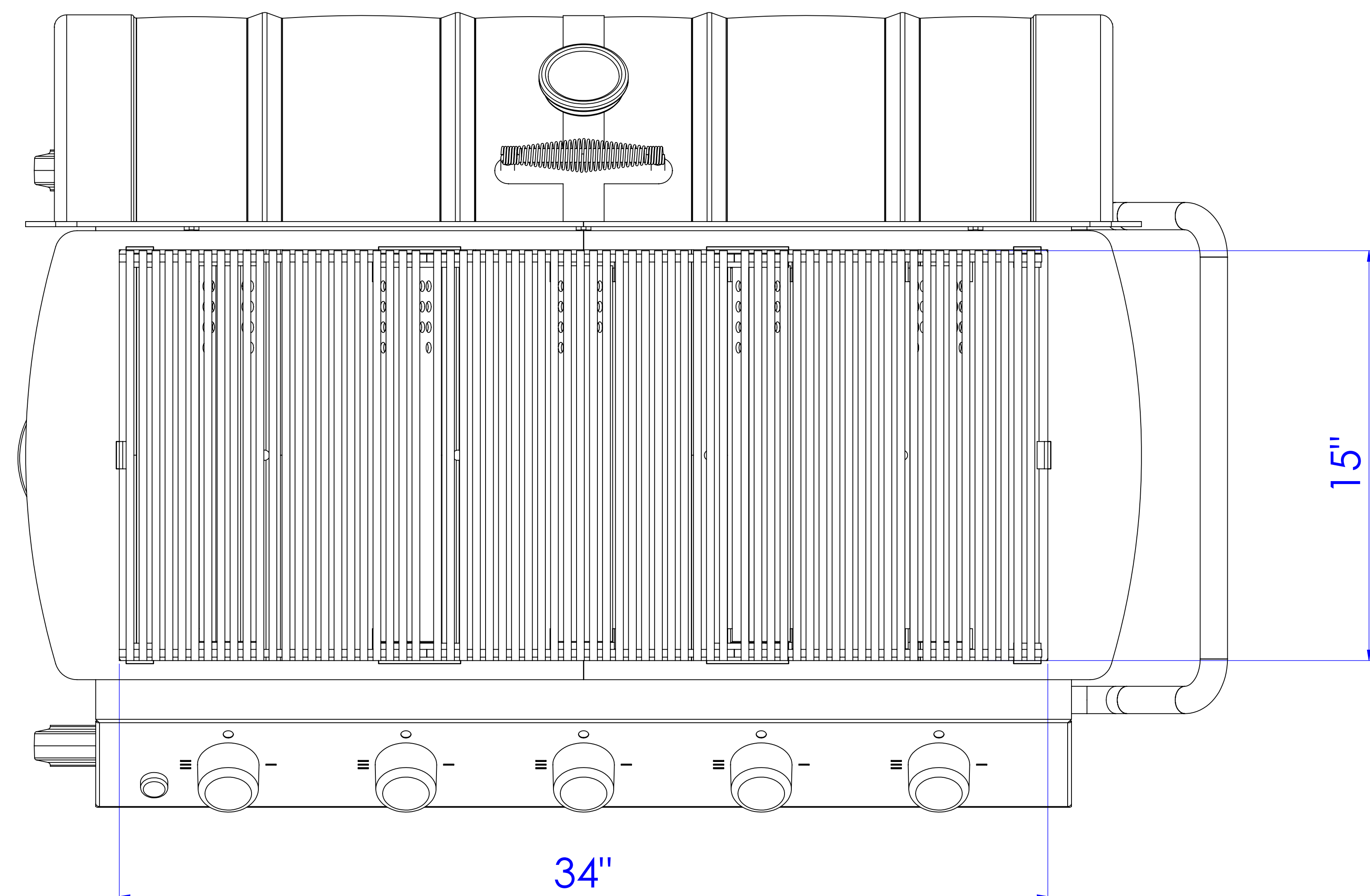
ABM EQUIPMENT
 13911 NW 3rd CT
 VANCOUVER, WA 98685
 PHONE: 360-558-7156
 FAX: 503-248-0715

ARM JOB NUMBER: 231769
 SHEET: 1 OF 8
 REV: A

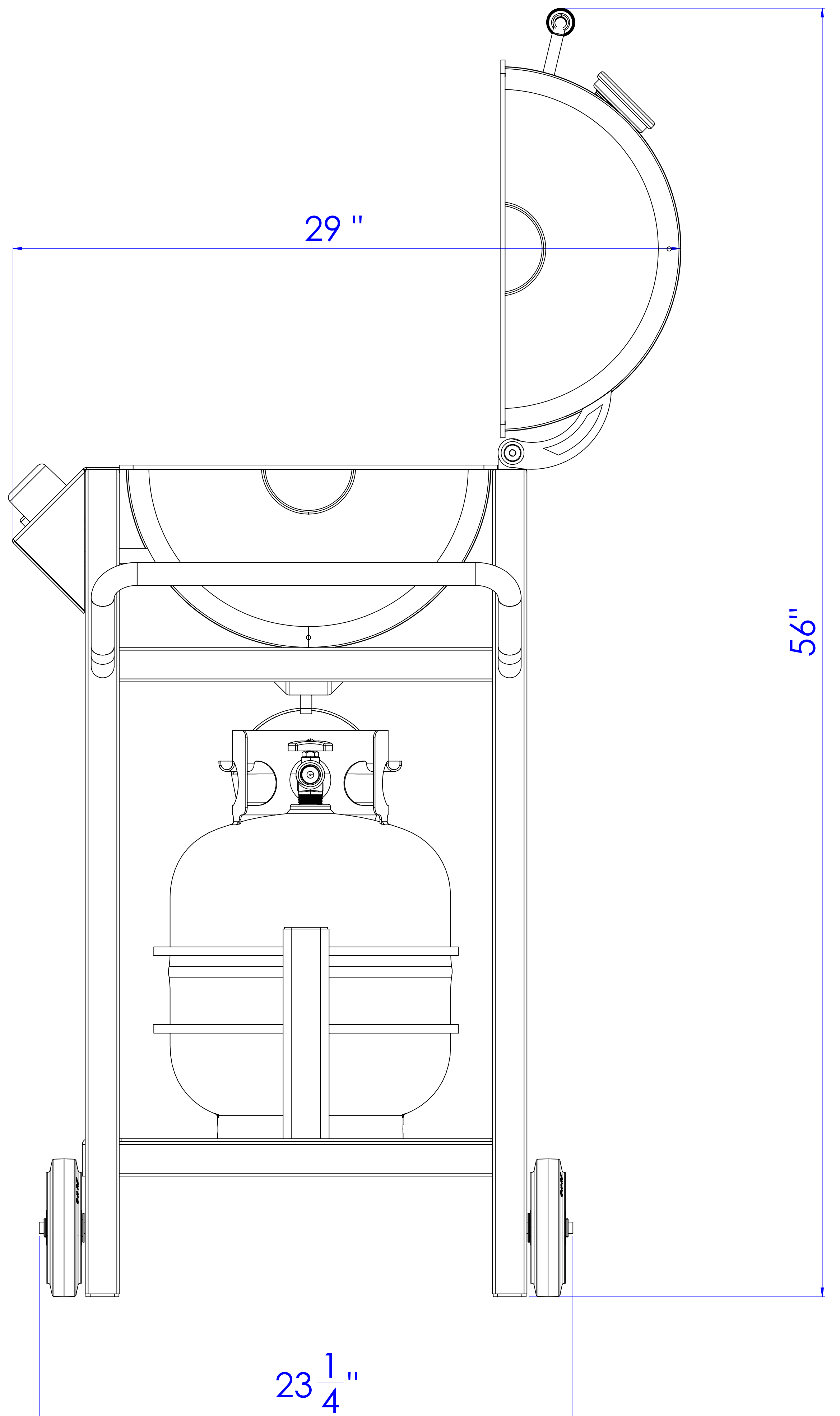
ARM KEG GRILL V3



36"



34"



29"

56"

23 1/4"

REV	DESCRIPTION	BY	DATE
A	PRODUCTION	SS	1/9/24

THIS MATERIAL IS THE PROPERTY OF ABM EQUIPMENT AND SHOULD NOT BE REPRODUCED, PUBLISHED OR DISCLOSED TO OTHERS WITHOUT AUTHORIZATION AND SHALL NOT BE USED IN ANY WAY AGAINST OR DISMEMORIAL TO ABM EQUIPMENT, VANCOUVER, WA

DESIGNED BY:
D. WALLING

DRAWN BY:
A. ZELINSKI

ABM JOB NUMBER:
231769

SHEET:
7 OF 8

REV:
A

13911 NW 3rd CT
VANCOUVER, WA 98685
PHONE: 360-558-7156
FAX: 503-248-0715