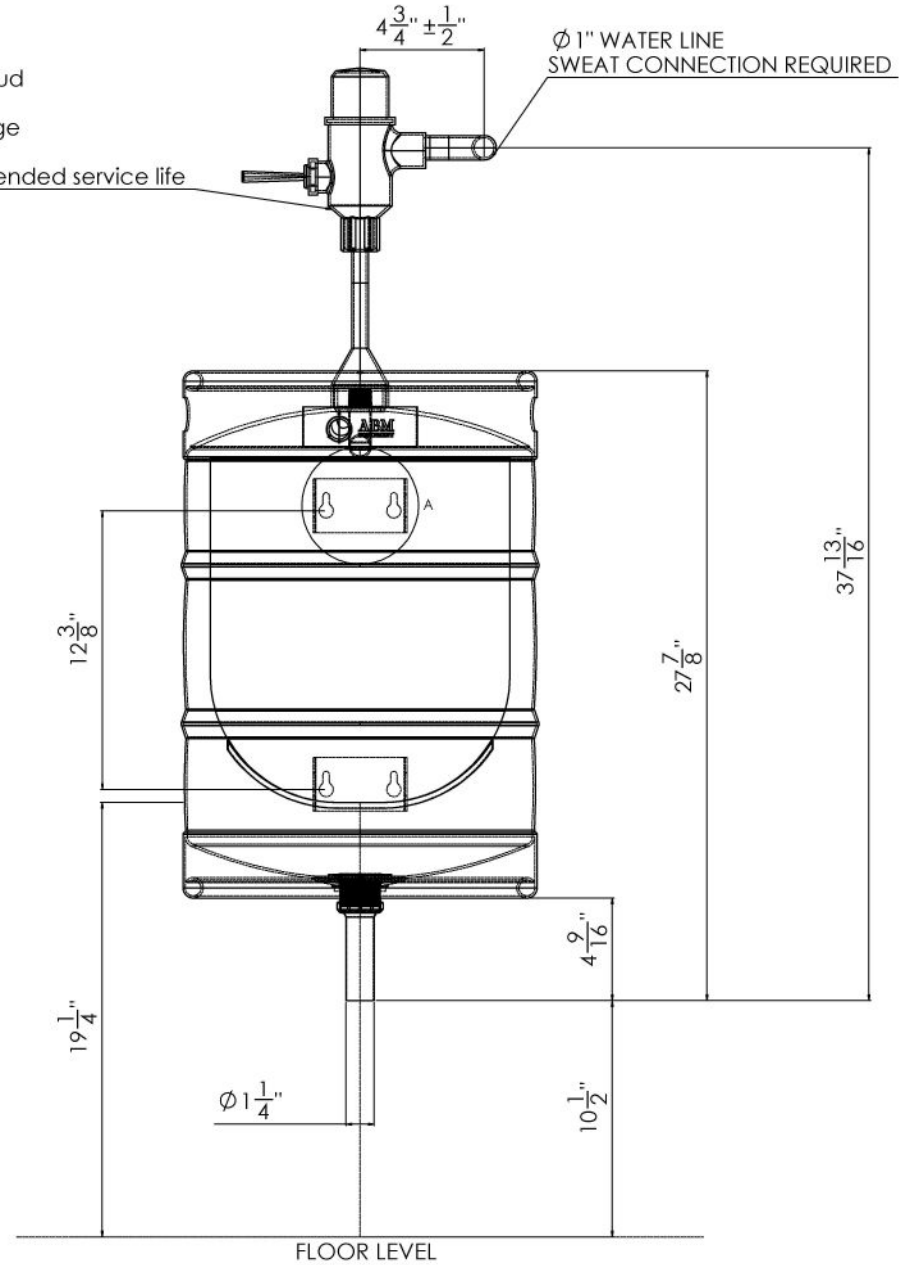
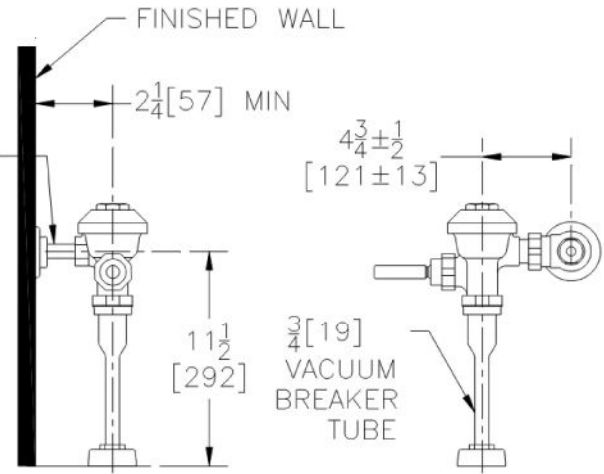
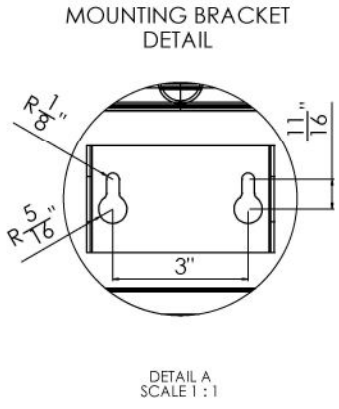


Zurn manual flushing valve with 3.5GPF
 Standard 11-1/2 in. rough-in and 3/4" top spud
 Exposed sweat solder kit
 Polished chrome-plated finish cast wall flange
 Clog-resistant triple filter diaphragm
 Chemical resistant gaskets and seals for extended service life



REV.	DESCRIPTION	BY	DATE
A	PRODUCTION	CS	2/25/2012

THE MATERIAL IS THE PROPERTY OF ABM EQUIPMENT AND SHOULD NOT BE REPRODUCED, COPIED OR ALTERED WITHOUT THE WRITTEN PERMISSION OF ABM EQUIPMENT. THE USER SHALL BE RESPONSIBLE FOR THE PROPER INSTALLATION AND USE OF THIS PRODUCT.

INSTALLATION DETAIL

ABM HCG URINAL

REV. 1

13911 NW 3rd Ct
 VANCOUVER, WA 98685
 PHONE: 360-558-7156
 FAX: 503-248-0715