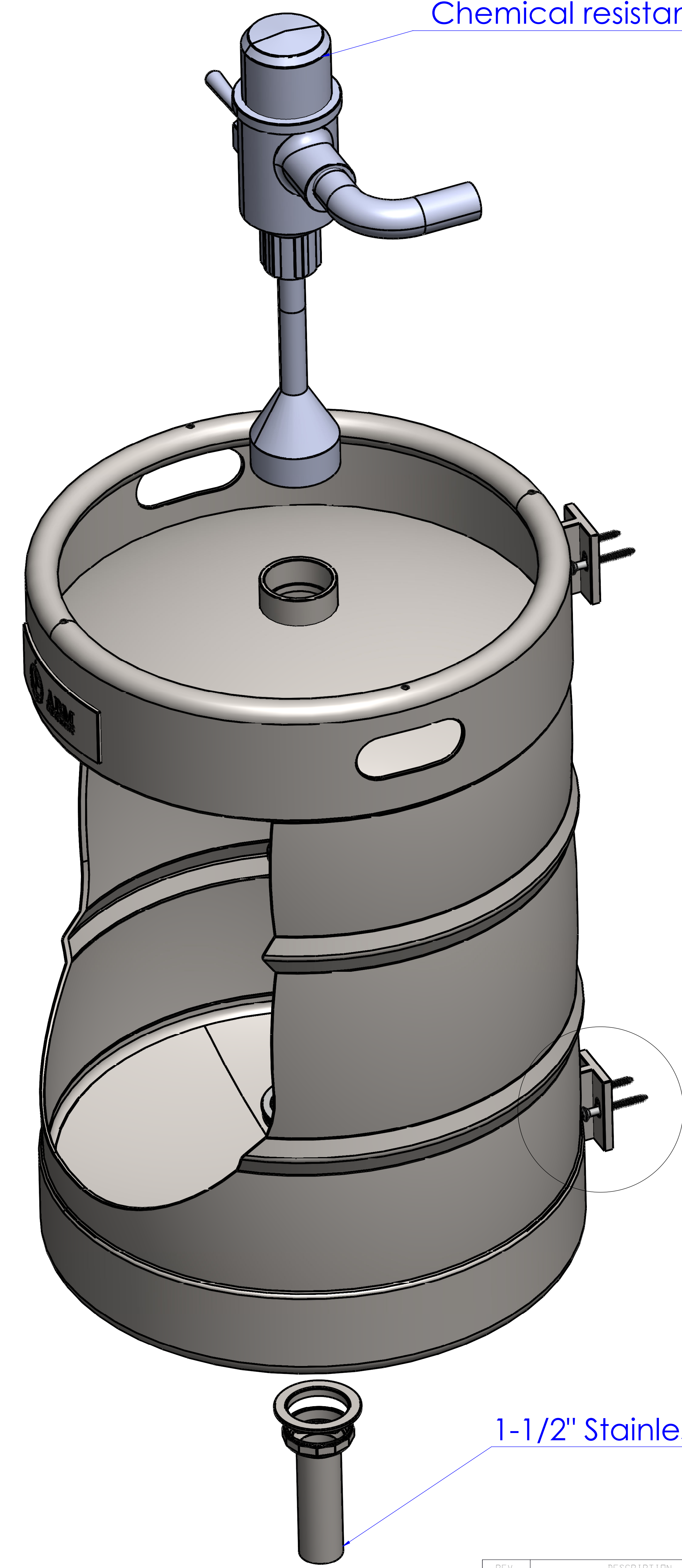
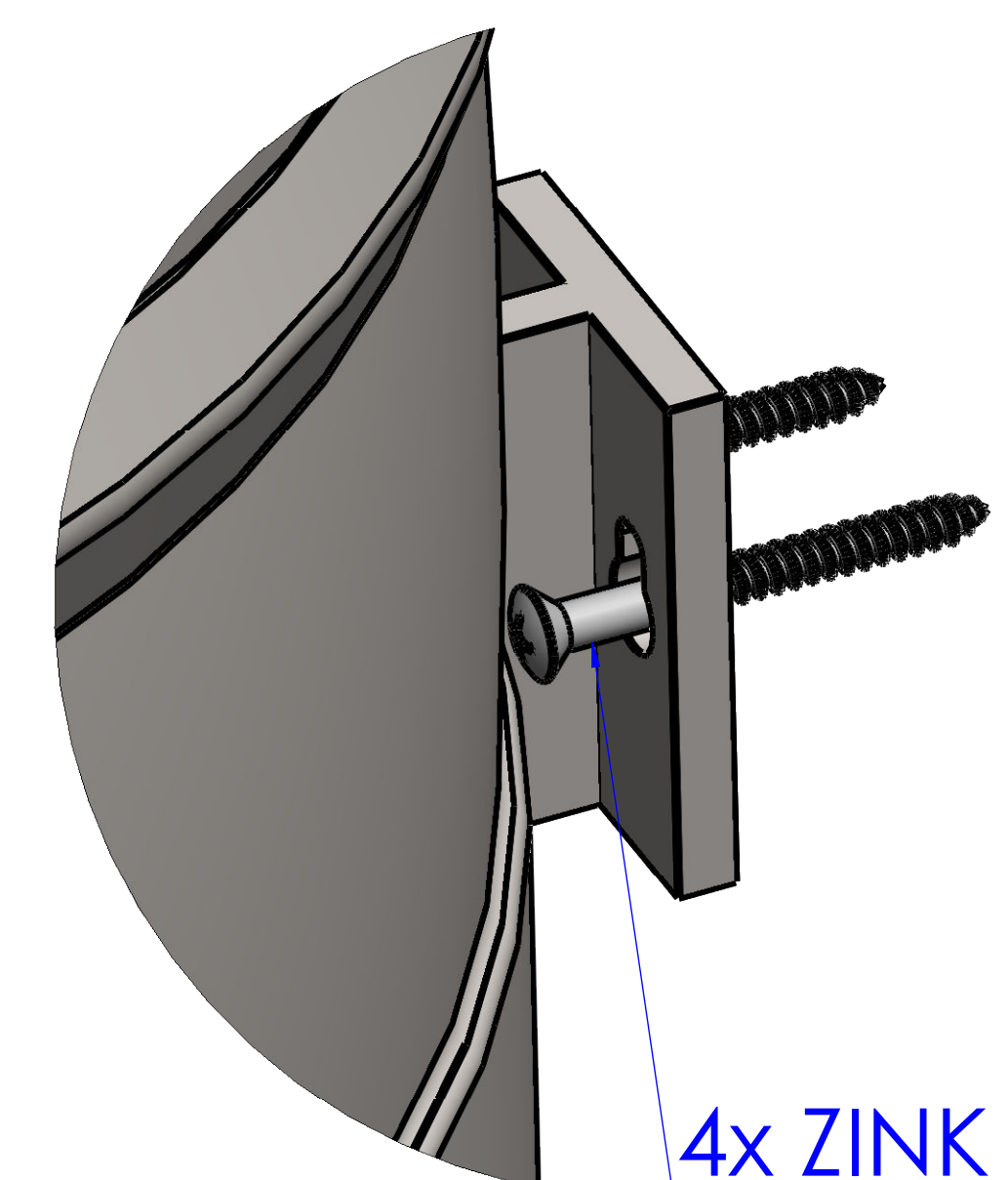


DETAIL M
SCALE 2:1.5



1-1/2" Stainless steel Drain with a strainer



DETAIL L
SCALE 2:1.5

4x ZINK PLATED #10 SCREWS, 2"

- Zurn manual flushing valve with 3.5GPF
- Standard 11-1/2 in. rough-in and 3/4" top spud
- Exposed sweat solder kit
- Polished chrome-plated finish cast wall flange
- Clog-resistant triple filter diaphragm
- Chemical resistant gaskets and seals for extended service life

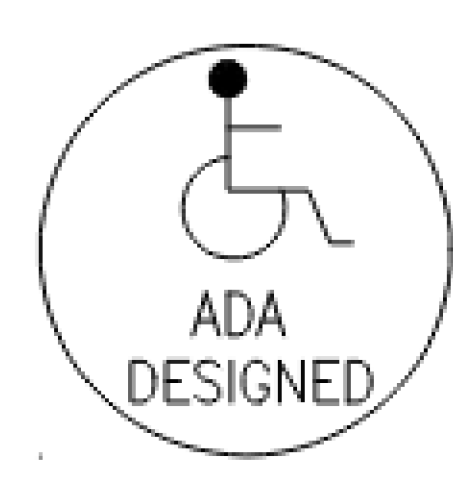
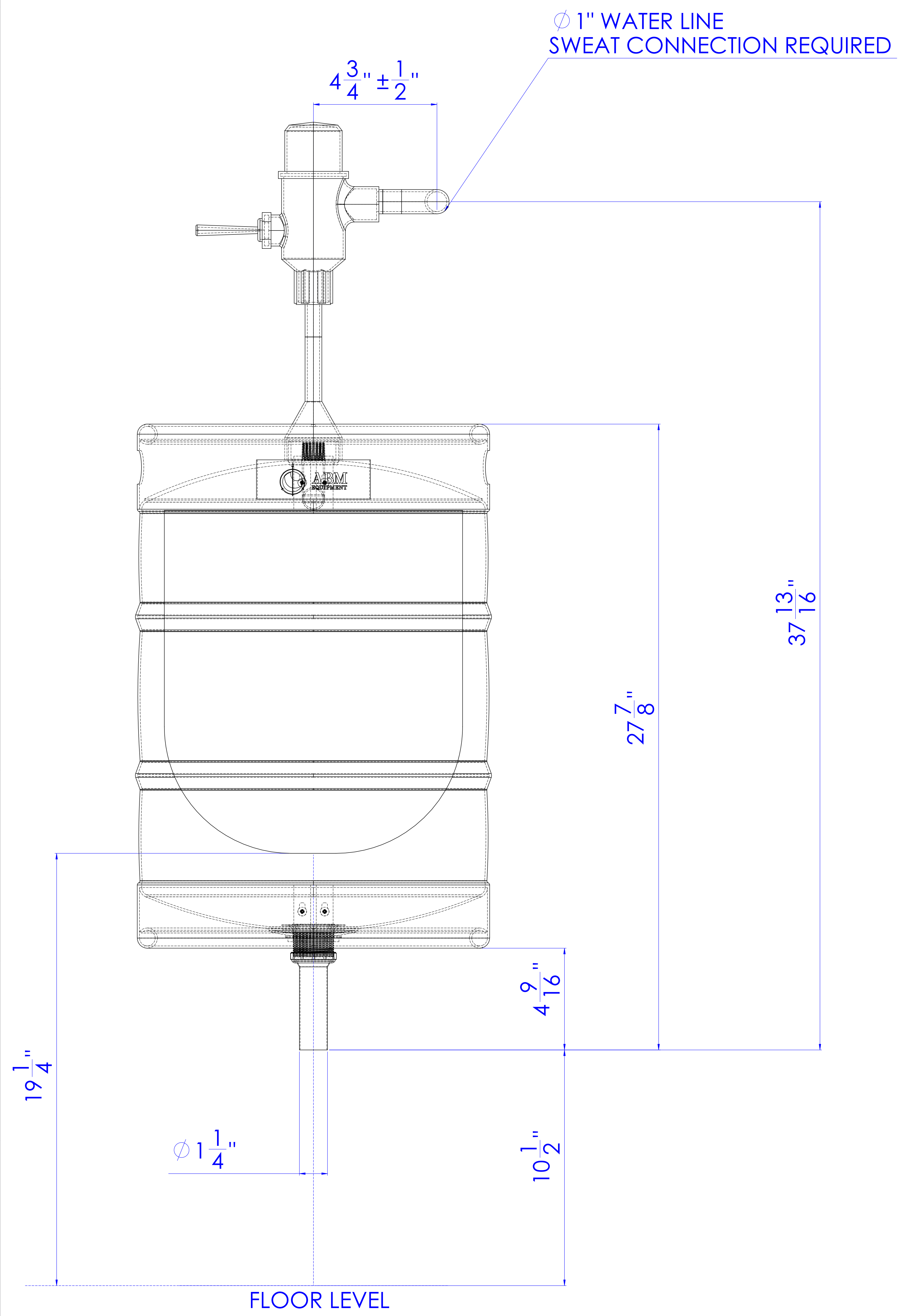
REV	DESCRIPTION	BY	DATE
P	PRELIMINARY	SS	2/25/2022

THIS MATERIAL IS THE PROPERTY OF ABM EQUIPMENT AND SHOULD NOT BE REPRODUCED, PUBLISHED OR DISCLOSED TO OTHERS WITHOUT AUTHORIZATION AND SHALL NOT BE USED IN ANY WAY AGAINST OR DISREPUTAL TO ABM EQUIPMENT, VANCOUVER, WA

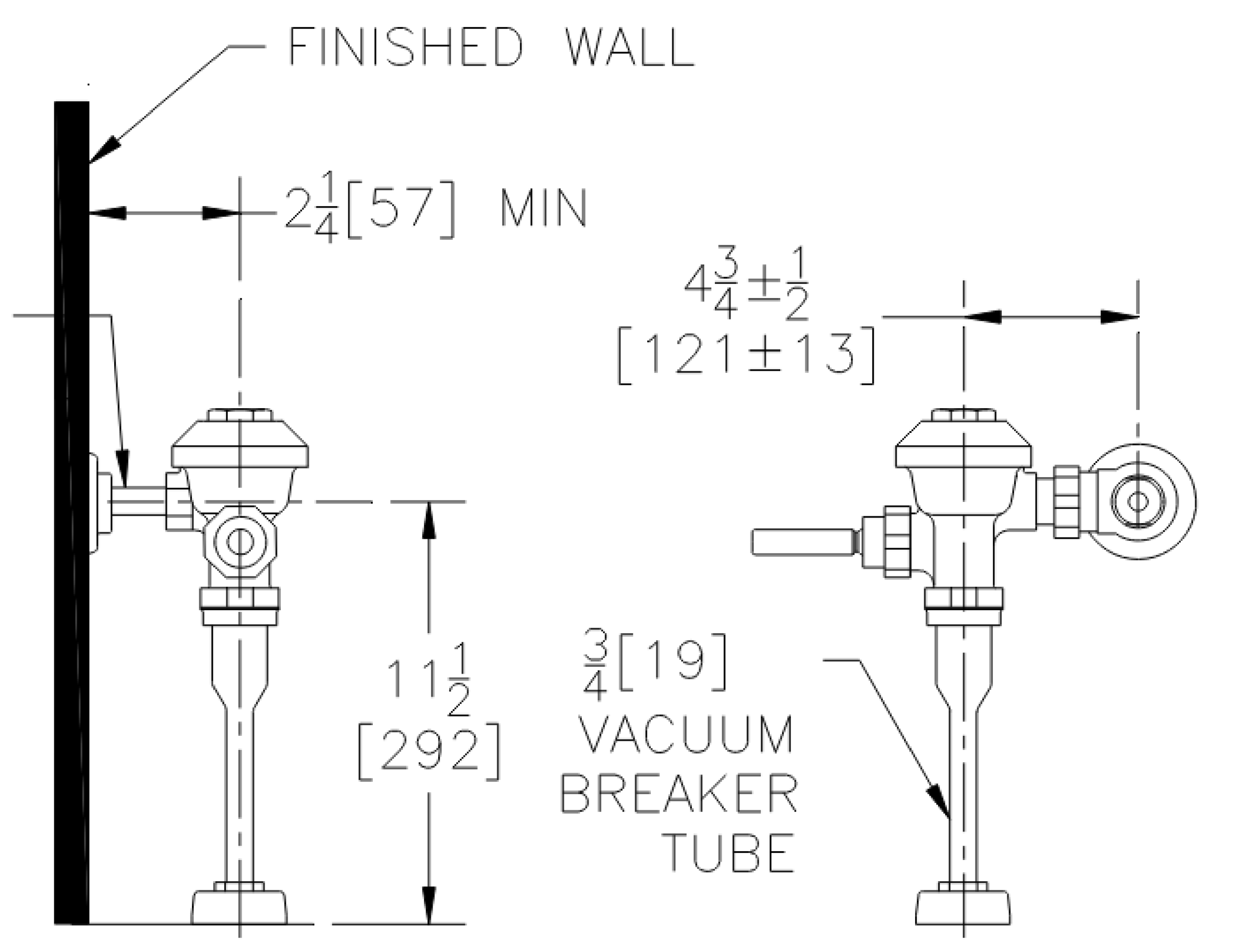
ASSEMBLY DETAIL
ABM KEG URINAL

ABM JOB NUMBER: SHEET: REV 1

13911 NW 3rd CT
VANCOUVER, WA 98685
PHONE: 360-558-7156
FAX: 503-248-0715



$\frac{3}{4}$ [19]
 I.P.S.
 SUPPLY



REV	DESCRIPTION	BY	DATE
A	PRODUCTION	SS	2/2/2022

THIS MATERIAL IS THE PROPERTY OF ABM EQUIPMENT
 AND SHOULD NOT BE REPRODUCED, PUBLISHED OR DISCLOSED
 TO OTHERS WITHOUT AUTHORIZATION AND SHALL NOT BE
 USED IN ANY WAY AGAINST OR TO THE DETRIMENT OF
 ABM EQUIPMENT, VANCOUVER, WA

INSTALLATION DETAIL
 ABM KEG URINAL

ABM JOB NUMBER: SHEET: REV: 1

ABM
 EQUIPMENT

13911 NW 3rd CT
 VANCOUVER, WA 98685
 PHONE: 360-558-7156
 FAX: 503-248-0715